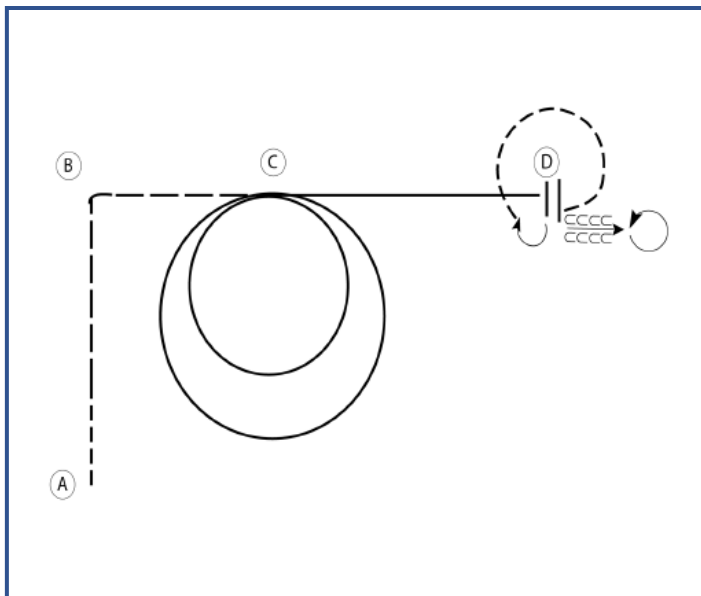


	MANEUVER	COMMENT	Poss. Points	SCORE
A	Be ready at A, square stance, acknowledge judge			
	Jog 2 strides from A		15	
	Extend the jog to B around the square corner and to C		15	
C	Pick up the right lead and lope a small slow circle to the right		15	
C	Return to C and lope a larger circle with speed at C		15	
C	Continue on the right lead to D		10	
D	Stop at D. Turn 180 degrees to the right		15	
	Jog a circle around D		15	
D	Stop at D and back approximately one horse length		15	
	Turn 360 degrees to the left		15	
	Follow the instructions of your ring steward			
	Presentation of horse and rider		10	
	General horsemanship & fluidity		10	
Comments			Total	Score
			150	



Judge's Signature: _____

Date: _____
